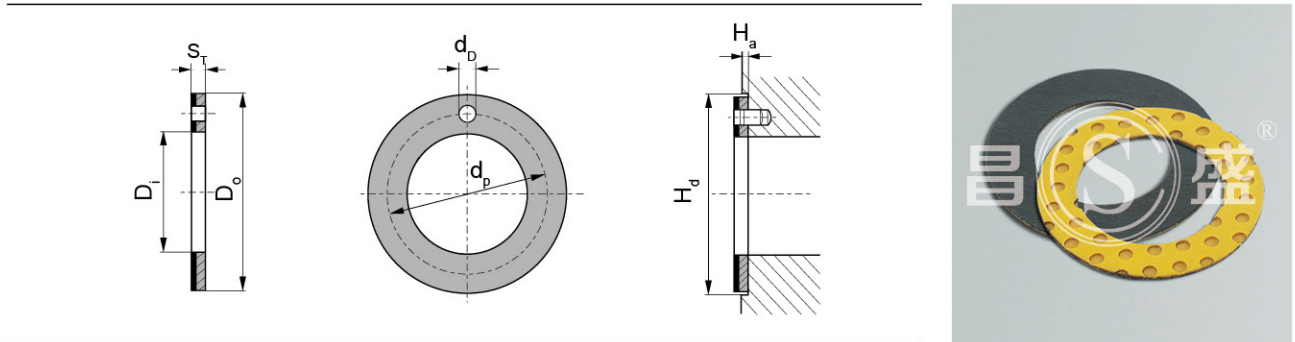


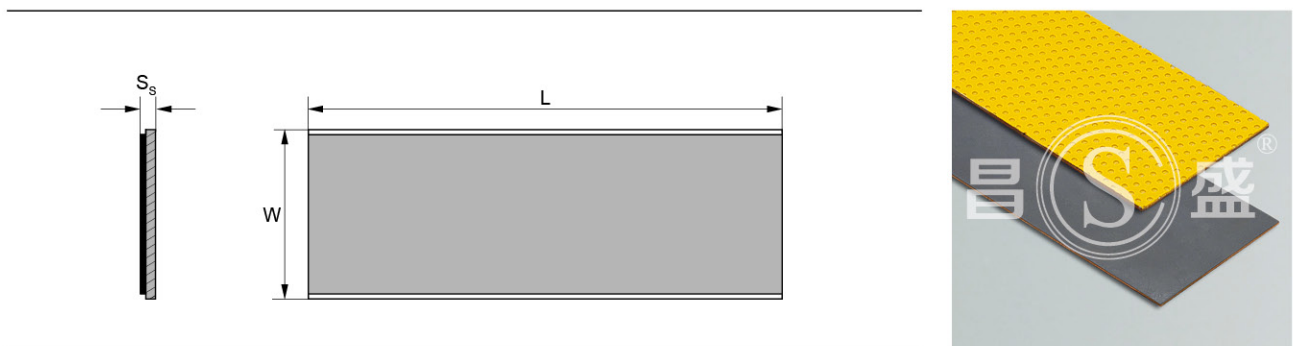
## SF-1WD/SF-2WD 自润滑垫片标准公制尺寸 SF-1WD/SF-2WD Self-Lubricating Thrust Washer Standard Metric Size



单位Unit: mm

轴径 Shaft $D_s$	型号规格 Standard No.	垫片尺寸 Washer size				安装尺寸 Assemble size		$H_d+0.12$
		$D_i+0.25$	$D_o-0.25$	$S_r-0.05$	$d_p+0.125$	$d_o^{+0.4}_{+0.1}$	$H_a+0.2$	
8	WD 10	10	20	1.5	15	1.5	1	20
10	WD 12	12	24		18			24
12	WD 14	14	26		20	26		
14	WD 16	16	30		23	30		
16	WD 18	18	32		25	32		
18	WD 20	20	36		28	36		
20	WD 22	22	38		30	38		
22	WD 24	24	42		33	42		
24	WD 26	26	44		35	44		
26	WD 28	28	48		38	48		
30	WD 32	32	54		43	54		
36	WD 38	38	62		50	62		
40	WD 42	42	66		54	66		
46	WD 48	48	74		61	74		
50	WD 52	52	78	2	65	1.5	78	
60	WD 62	62	90		76		90	

## SF-1SP/SF-2SP 自润滑板材标准公制尺寸 SF-1SP/SF-2SP Self-Lubricating Strip/Sheet Standard Metric Size



单位Unit: mm

型号规格 Standard No.	长度 $L\pm 1$	宽度 $W\pm 1$	壁厚 Wall thickness $S_s-0.05$
SP	500	150	1.0
SP	500	150	1.5
SP	500	150	2.0
SP	500	150	2.5